

Mesh Optimization

Hugues Hoppe* Tony DeRose* Tom Duchamp†
John McDonald‡ Werner Stuetzle‡

University of Washington
Seattle, WA 98195

Abstract

We present a method for solving the following problem: Given a set of data points scattered in three dimensions and an initial triangular mesh M_0 , produce a mesh M , of the same topological type as M_0 , that fits the data well and has a small number of vertices. Our approach is to minimize an energy function that explicitly models the competing desires of conciseness of representation and fidelity to the data. We show that mesh optimization can be effectively used in at least two applications: surface reconstruction from unorganized points, and mesh simplification (the reduction of the number of vertices in an initially dense mesh of triangles).

CR Categories and Subject Descriptors: I.3.5 [Computer Graphics]: Computational Geometry and Object Modeling.

Additional Keywords: Geometric Modeling, Surface Fitting, Three-Dimensional Shape Recovery, Range Data Analysis, Model Simplification.

1 Introduction

The *mesh optimization* problem considered in this paper can be roughly stated as follows: Given a collection of data points X in \mathbf{R}^3 and an initial triangular mesh M_0 near the data, find a mesh M of the same topological type as M_0 that fits the data well and has a small number of vertices.

*Department of Computer Science and Engineering, FR-35

†Department of Mathematics, GN-50

‡Department of Statistics, GN-22

This work was supported in part by Bellcore, the Xerox Corporation, IBM, Hewlett-Packard, AT&T Bell Labs, the Digital Equipment Corporation, the Department of Energy under grant DE-FG06-85-ER25006, the National Library of Medicine under grant NIH LM-04174, and the National Science Foundation under grants CCR-8957323 and DMS-9103002.

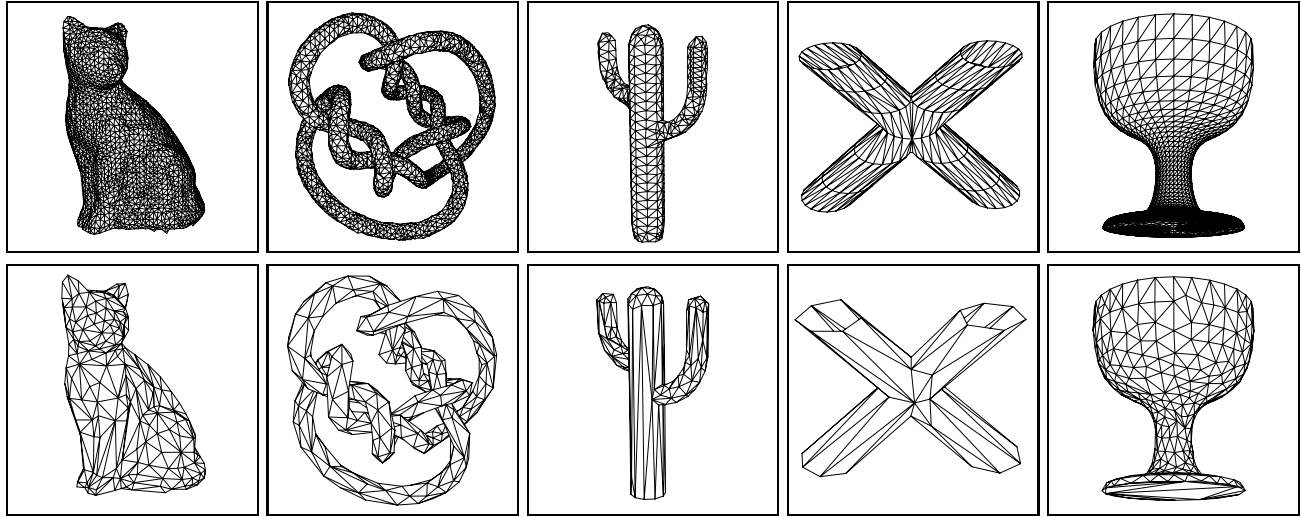


Figure 1: Examples of mesh optimization. The meshes in the top row are the initial meshes M_0 ; the meshes in the bottom row are the corresponding optimized meshes. The first 3 columns are reconstructions; the last 2 columns are simplifications.

As an example, Figure 11b shows a set of 4102 data points sampled from the object shown in Figure 11a. The input to the mesh optimization algorithm consists of the points together with the initial mesh shown in Figure 11c. The optimized mesh is shown in Figure 12c. Notice that the sharp edges and corners indicated by the data have been faithfully recovered and that the number of vertices has been significantly reduced (from 1572 to 163).

To solve the mesh optimization problem we minimize an *energy function* that captures the competing desires of tight geometric fit and compact representation. The tradeoff between geometric fit and compact representation is controlled via a user-selectable parameter c_{rep} . A large value of c_{rep} indicates that a sparse representation is to be strongly preferred over a dense one, usually at the expense of degrading the fit.

We use the input mesh M_0 as a starting point for a non-linear optimization process. During the optimization we vary the number of vertices, their positions, and their connectivity. Although we can give no guarantee of finding a global minimum, we have run the method on a wide variety of data sets; the method has produced good results in all cases (see Figure 1).

We see at least two applications of mesh optimization: surface reconstruction and mesh simplification.

The problem of surface reconstruction from sampled data occurs in many scientific and engineering applications. In [2], we outlined a two phase procedure for reconstructing a surface from a set of unorganized data points. The goal of phase one is to determine the topological type of the unknown surface and to obtain a crude estimate of its geometry. An algorithm for phase one was described in [5]. The goal of phase two is to improve the fit and reduce the number of faces. Mesh optimization can be used for this purpose.

Although we were originally led to consider the mesh optimization problem by our research

on surface reconstruction, the algorithm we have developed can also be applied to the problem of mesh simplification. Mesh simplification, as considered by Turk [16] and Schroeder et al. [11], refers to the problem of reducing the number of faces in a dense mesh while minimally perturbing the shape. Mesh optimization can be used to solve this problem as follows: sample data points X from the initial mesh and use the initial mesh as the starting point M_0 of the optimization procedure. For instance, Figure 14a shows a triangular approximation of a minimal surface with 2032 vertices. Application of our mesh optimization algorithm to a sample of 6752 points (Figure 14b) from this mesh produces the meshes shown in Figures 14c (487 vertices) and 14d (239 vertices). The mesh of Figure 14c corresponds to a relatively small value of c_{rep} , and therefore has more vertices than the mesh of Figure 14d which corresponds to a somewhat larger value of c_{rep} .

The principal contributions of this paper are:

- It presents an algorithm for fitting a mesh of arbitrary topological type to a set of data points (as opposed to volume data, etc.). During the fitting process, the number and connectivity of the vertices, as well as their positions, are allowed to vary.
- It casts mesh simplification as an optimization problem with an energy function that directly measures deviation of the final mesh from the original. As a consequence, the final mesh naturally adapts to curvature variations in the original mesh.
- It demonstrates how the algorithm’s ability to recover sharp edges and corners can be exploited to automatically segment the final mesh into smooth connected components (see Figure 12e).

2 Mesh Representation

Intuitively, a *mesh* is a piecewise linear surface, consisting of triangular faces pasted together along their edges. For our purposes it is important to maintain the distinction between the connectivity of the vertices and their geometric positions. Formally, a mesh M is a pair (K, V) , where: K is a *simplicial complex* representing the connectivity of the vertices, edges, and faces, thus determining the topological type of the mesh; $V = \{\mathbf{v}_1, \dots, \mathbf{v}_m\}$, $\mathbf{v}_i \in \mathbf{R}^3$ is a set of vertex positions defining the shape of the mesh in \mathbf{R}^3 (its geometric realization).

A simplicial complex K consists of a set of vertices $\{1, \dots, m\}$, together with a set of non-empty subsets of the vertices, called the simplices of K , such that any set consisting of exactly one vertex is a simplex in K , and every non-empty subset of a simplex in K is again a simplex in K (cf. Spanier [15]). The 0-simplices $\{i\} \in K$ are called vertices, the 1-simplices $\{i, j\} \in K$ are called edges, and the 2-simplices $\{i, j, k\} \in K$ are called faces.

A geometric realization of a mesh as a surface in \mathbf{R}^3 can be obtained as follows. For a given simplicial complex K , form its *topological realization* $|K|$ in \mathbf{R}^m by identifying the vertices $\{1, \dots, m\}$ with the standard basis vectors $\{\mathbf{e}_1, \dots, \mathbf{e}_m\}$ of \mathbf{R}^m . For each simplex $s \in K$ let $|s|$ denote the convex hull of its vertices in \mathbf{R}^m , and let $|K| = \cup_{s \in K} |s|$. Let $\phi: \mathbf{R}^m \rightarrow \mathbf{R}^3$ be the linear map that sends the i -th standard basis vector $\mathbf{e}_i \in \mathbf{R}^m$ to $\mathbf{v}_i \in \mathbf{R}^3$ (see Figure 2).

Simplicial complex K

vertices: $\{1\}, \{2\}, \{3\}$

edges: $\{1, 2\}, \{2, 3\}, \{1, 3\}$

faces: $\{1, 2, 3\}$

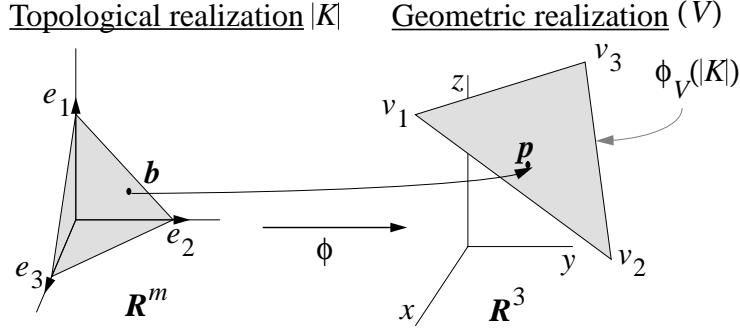


Figure 2: Example of mesh representation: a mesh consisting of a single face.

The *geometric realization* of M is the image $\phi_V(|K|)$, where we write the map as ϕ_V to emphasize that it is fully specified by the set of vertex positions $V = \{\mathbf{v}_1, \dots, \mathbf{v}_m\}$. The map ϕ_V is called an *embedding* if it is 1-1, that is if $\phi_V(|K|)$ is not self-intersecting. Only a restricted set of vertex positions V result in ϕ_V being an embedding.

If ϕ_V is an embedding, any point $\mathbf{p} \in \phi_V(|K|)$ can be parameterized by finding its unique pre-image on $|K|$. The vector $\mathbf{b} \in |K|$ with $\mathbf{p} = \phi_V(\mathbf{b})$ is called the *barycentric coordinate vector* of \mathbf{p} (with respect to the simplicial complex K). Note that barycentric coordinate vectors are convex combinations of standard basis vectors $\mathbf{e}_i \in \mathbf{R}^m$ corresponding to the vertices of a face of K . Any barycentric coordinate vector has at most three non-zero entries; it has only two non-zero entries if it lies on an edge of $|K|$, and only one if it is a vertex.

3 Definition of the Energy Function

Recall that the goal of mesh optimization is to obtain a mesh that provides a good fit to the point set X and has a small number of vertices. We find a simplicial complex K and a set of vertex positions V defining a mesh $M = (K, V)$ that minimizes the energy function

$$E(K, V) = E_{dist}(K, V) + E_{rep}(K) + E_{spring}(K, V).$$

The first two terms correspond to the two stated goals; the third term is motivated below.

The distance energy E_{dist} is equal to the sum of squared distances from the points $X = \{\mathbf{x}_1, \dots, \mathbf{x}_n\}$ to the mesh,

$$E_{dist}(K, V) = \sum_{i=1}^n d^2(\mathbf{x}_i, \phi_V(|K|)).$$

The representation energy E_{rep} penalizes meshes with a large number of vertices. It is set to be proportional to the number of vertices m of K :

$$E_{rep}(K) = c_{rep}m.$$

The optimization allows vertices to be both added to and removed from the mesh. When a vertex is added, the distance energy E_{dist} is likely to be reduced; the term E_{rep} makes this operation incur a penalty so that vertices are not added indefinitely. Similarly, one wants to remove vertices from a dense mesh even if E_{dist} increases slightly; in this case E_{rep} acts to encourage the vertex removal. The user-specified parameter c_{rep} provides a controllable trade-off between fidelity of geometric fit and parsimony of representation.

We discovered, as others have before us [7], that minimizing $E_{dist} + E_{rep}$ does not produce the desired results. As an illustration of what can go wrong, Figure 11d shows the result of minimizing E_{dist} alone. The estimated surface has several spikes in regions where there is no data. These spikes are a manifestation of the fundamental problem that a minimum of $E_{dist} + E_{rep}$ may not exist.

To guarantee the existence of a minimum (see Appendix A.1), we add the third term, the spring energy E_{spring} . It places on each edge of the mesh a spring of rest length zero and spring constant κ :

$$E_{spring}(K, V) = \sum_{\{j,k\} \in K} \kappa \|\mathbf{v}_j - \mathbf{v}_k\|^2$$

It is worthwhile emphasizing that the spring energy is not a smoothness penalty. Our intent is not to penalize sharp dihedral angles in the mesh, since such features may be present in the underlying surface and should be recovered. We view E_{spring} as a regularizing term that helps guide the optimization to a desirable local minimum. As the optimization converges to the solution, the magnitude of E_{spring} can be gradually reduced. We return to this issue in Section 4.4.

For some applications we want the procedure to be scale-invariant, which is equivalent to defining a unitless energy function E . To achieve invariance under Euclidean motion and uniform scaling, the points X and the initial mesh M_0 are pre-scaled uniformly to fit in a unit cube. After optimization, a post-processing step can undo this initial transformation.

4 Minimization of the Energy Function

Our goal is to minimize the energy function

$$E(K, V) = E_{dist}(K, V) + E_{rep}(K) + E_{spring}(K, V)$$

over the set \mathcal{K} of simplicial complexes K homeomorphic to the initial simplicial complex K_0 , and the vertex positions V defining the embedding. We now present an outline of our optimization algorithm, a pseudo-code version of which appears in Figure 3. The details are deferred to the next two subsections.

To minimize $E(K, V)$ over both K and V , we partition the problem into two nested subproblems: an inner minimization over V for fixed simplicial complex K , and an outer minimization over K .

In Section 4.1 we describe an algorithm that solves the inner minimization problem. It finds $E(K) = \min_V E(K, V)$, the energy of the best possible embedding of the fixed simplicial complex K , and the corresponding vertex positions V , given an initial guess for V . This corresponds to the procedure `OptimizeVertexPositions` in Figure 3.

Whereas the inner minimization is a continuous optimization problem, the outer minimization of $E(K)$ over the simplicial complexes $K \in \mathcal{K}$ (procedure `OptimizeMesh`) is a discrete optimization problem. An algorithm for its solution is presented in Section 4.2.

The energy function $E(K, V)$ depends on two parameters c_{rep} and κ . The parameter c_{rep} controls the tradeoff between conciseness and fidelity to the data and should be set by the user. The parameter κ , on the other hand, is a regularizing parameter that, ideally, would be chosen automatically. Our method of setting κ is described in Section 4.4.

4.1 Optimization for Fixed Simplicial Complex

(Procedure `OptimizeVertexPositions`)

In this section, we consider the problem of finding a set of vertex positions V that minimizes the energy function $E(K, V)$ for a given simplicial complex K . As $E_{rep}(K)$ does not depend on V , this amounts to minimizing $E_{dist}(K, V) + E_{spring}(K, V)$.

To evaluate the distance energy $E_{dist}(K, V)$, it is necessary to compute the distance of each data point \mathbf{x}_i to $M = \phi_V(|K|)$. Each of these distances is itself the solution to the minimization problem

$$d^2(\mathbf{x}_i, \phi_V(|K|)) = \min_{\mathbf{b}_i \in |K|} \|\mathbf{x}_i - \phi_V(\mathbf{b}_i)\|^2,$$

in which the unknown is the barycentric coordinate vector $\mathbf{b}_i \in |K| \subset \mathbf{R}^m$ of the projection of \mathbf{x}_i onto M (Figure 4). Thus, minimizing $E(K, V)$ for fixed K is equivalent to minimizing the new objective function

$$\begin{aligned} E(K, V, B) &= \sum_{i=1}^n \|\mathbf{x}_i - \phi_V(\mathbf{b}_i)\|^2 + E_{spring}(K, V) \\ &= \sum_{i=1}^n \|\mathbf{x}_i - \phi_V(\mathbf{b}_i)\|^2 + \sum_{\{j,k\} \in K} \kappa \|\mathbf{v}_j - \mathbf{v}_k\|^2 \end{aligned}$$

over the vertex positions $V = \{\mathbf{v}_1, \dots, \mathbf{v}_m\}$, $\mathbf{v}_i \in \mathbf{R}^3$ and the barycentric coordinates $B = \{\mathbf{b}_1, \dots, \mathbf{b}_n\}$, $\mathbf{b}_i \in |K| \subset \mathbf{R}^m$.

To solve this optimization problem (procedure `OptimizeVertexPositions`), our method alternates between two subproblems:

1. For fixed vertex positions V , find optimal barycentric coordinate vectors B by *projection* (procedure `ProjectPoints`).
2. For fixed barycentric coordinate vectors B , find optimal vertex positions V by solving a *linear* least squares problem (procedure `ImproveVertexPositions`).

```

OptimizeMesh( $K_0, V_0$ ) {
   $K := K_0$ 
   $V := \text{OptimizeVertexPositions}(K_0, V_0)$ 
  – Solve the outer minimization problem.
  repeat {
    ( $K', V'$ ) := GenerateLegalMove( $K, V$ )
     $V' = \text{OptimizeVertexPositions}(K', V')$ 
    if  $E(K', V') < E(K, V)$  then
      ( $K, V$ ) := ( $K', V'$ )
    endif
  } until convergence
  return ( $K, V$ )
}

– Solve the inner optimization problem
–  $E(K) = \min_V E(K, V)$ 
– for fixed simplicial complex  $K$ .
OptimizeVertexPositions( $K, V$ ) {
  repeat {
    – Compute barycentric coordinates by projection.
     $B := \text{ProjectPoints}(K, V)$ 
    – Minimize  $E(K, V, B)$  over  $V$  using conjugate gradients.
     $V := \text{ImproveVertexPositions}(K, B)$ 
  } until convergence
  return  $V$ 
}

GenerateLegalMove( $K, V$ ) {
  Select a legal move  $K \Rightarrow K'$ .
  Locally modify  $V$  to obtain  $V'$  appropriate for  $K'$ .
  return ( $K', V'$ )
}

```

Figure 3: An idealized pseudo-code version of the minimization algorithm.

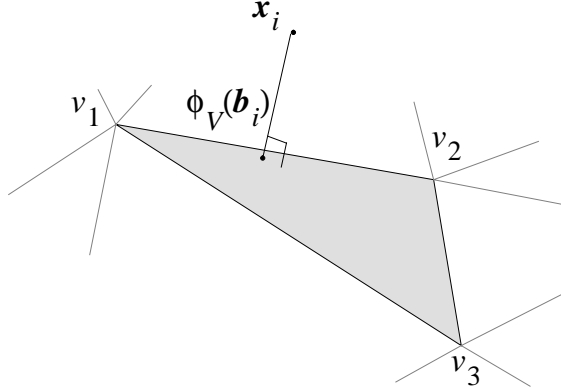


Figure 4: Distance of a point \mathbf{x}_i from the mesh.

Because we find optimal solutions to both of these subproblems, $E(K, V, B)$ can never increase, and since it is bounded from below, it must converge. In principle, one could iterate until some formal convergence criterion is met. Instead, as is common, we perform a fixed number of iterations. As an example, Figure 11e shows the result of optimizing the mesh of Figure 11c over the vertex positions while holding the simplicial complex fixed.

It is conceivable that procedure `OptimizeVertexPositions` returns a set V of vertices for which the mesh is self-intersecting, i.e. ϕ_V is not an embedding. While it is possible to check *a posteriori* whether ϕ_V is an embedding, constraining the optimization to always produce an embedding appears to be difficult. This has not presented a problem in the examples we have run.

4.1.1 Projection Subproblem (Procedure `ProjectPoints`)

The problem of optimizing $E(K, V, B)$ over the barycentric coordinate vectors $B = \{\mathbf{b}_1, \dots, \mathbf{b}_n\}$, while holding the vertex positions $V = \{\mathbf{v}_1, \dots, \mathbf{v}_m\}$ and the simplicial complex K constant, decomposes into n separate optimization problems:

$$\mathbf{b}_i = \operatorname{argmin}_{\mathbf{b} \in |K|} \|\mathbf{x}_i - \phi_V(\mathbf{b})\|$$

In other words, \mathbf{b}_i is the barycentric coordinate vector corresponding to the point $\mathbf{p} \in \phi_V(|K|)$ closest to \mathbf{x}_i .

A naive approach to computing \mathbf{b}_i is to project \mathbf{x}_i onto all of the faces of M , and then find the projection with minimal distance. To speed up the projection, we first enter the faces of the mesh into a spatial partitioning data structure (similar to the one used in [17]). Then for each point \mathbf{x}_i only a nearby subset of the faces needs to be considered, and the projection step takes expected time $O(n)$. For additional speedup we exploit coherence between iterations. Instead of projecting each point globally onto the mesh, we assume that a point's projection lies in a neighborhood of its projection in the previous iteration. Specifically, we project the point onto all faces that share

a vertex with the previous face. Although this is a heuristic that can fail, it has performed well in practice.

4.1.2 Linear Least Squares Subproblem

(Procedure ImproveVertexPositions)

Minimizing $E(K, V, B)$ over the vertex positions V while holding B and K fixed is a linear least squares problem. It decomposes into three independent subproblems, one for each of the three coordinates of the vertex positions. We will write down the problem for the first coordinate.

Let e be the number of edges (1-simplices) in K ; note that e is $O(m)$. Let \mathbf{v}^1 be the m -vector whose i -th element is the first coordinate of \mathbf{v}_i . Let \mathbf{d}^1 be the $(n + e)$ -vector whose first n elements are the first coordinates of the data points \mathbf{x}_i , and whose last e elements are zero. With these definitions we can express the least squares problem for the first coordinate as minimizing $\|A\mathbf{v}^1 - \mathbf{d}^1\|^2$ over \mathbf{v}^1 . The design matrix A is an $(n + e) \times m$ matrix of scalars. The first n rows of A are the barycentric coordinate vectors \mathbf{b}_i . Each of the trailing e rows contains 2 non-zero entries with values $\sqrt{\kappa}$ and $-\sqrt{\kappa}$ in the columns corresponding to the indices of the edge's endpoints. The first n rows of the least squares problem correspond to $E_{dist}(K, V)$, while the last e rows correspond to $E_{spring}(K, V)$. An important feature of the matrix A is that it contains at most 3 non-zero entries in each row, for a total of $O(n + m)$ non-zero entries.

To solve the least squares problem, we use the conjugate gradient method (cf. [3]). This is an iterative method guaranteed to find the exact solution in as many iterations as there are distinct singular values of A , i.e. in at most m iterations. Usually far fewer iterations are required to get a result with acceptable precision. For example, we find that for m as large as 10^4 , as few as 200 iterations are sufficient.

The two time-consuming operations in each iteration of the conjugate gradient algorithm are the multiplication of A by an $(n + e)$ -vector and the multiplication of A^T by an m -vector. Because A is sparse, these two operations can be executed in $O(n + m)$ time. We store A in a sparse form that requires only $O(n + m)$ space. Thus, an acceptable solution to the least squares problem is obtained in $O(n + m)$ time. In contrast, a typical noniterative method for solving dense least squares problems, such as QR decomposition, would require $O((n + m)m^2)$ time to find an exact solution.

4.2 Optimization over Simplicial Complexes

(Procedure OptimizeMesh)

To solve the outer minimization problem, minimizing $E(K)$ over K , we define a set of three elementary transformations, *edge collapse*, *edge split*, and *edge swap*, taking a simplicial complex K to another simplicial complex K' (see Figure 5).

We define a *legal move* to be the application of one of these elementary transformations to an edge of K that leaves the topological type of K unchanged. The set of elementary transformations is complete in the sense that *any* simplicial complex in \mathcal{K} can be obtained from K_0 through a

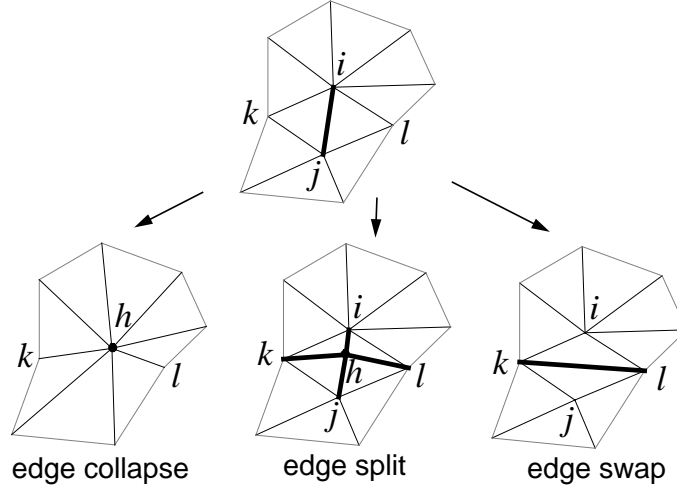


Figure 5: Local simplicial complex transformations

sequence of legal moves¹.

Our goal then is to find such a sequence taking us from K_0 to a minimum of $E(K)$. We do this using a variant of random descent: we randomly select a legal move, $K \Rightarrow K'$. If $E(K') < E(K)$, we accept the move, otherwise we try again. If a large number of trials fails to produce an acceptable move, we terminate the search.

More elaborate selection strategies, such as steepest descent or simulated annealing, are possible. As we have obtained good results with the simple strategy of random descent, we have not yet implemented the other strategies.

Identifying Legal Moves An edge split transformation is always a legal move, as it can never change the topological type of K . The other two transformations, on the other hand, can cause a change of topological type, so tests must be performed to determine if they are legal moves.

We define an edge $\{i, j\} \in K$ to be a *boundary edge* if it is a subset of only one face $\{i, j, k\} \in K$, and a vertex $\{i\}$ to be a *boundary vertex* if there exists a boundary edge $\{i, j\} \in K$.

An edge collapse transformation $K \Rightarrow K'$ that collapses the edge $\{i, j\} \in K$ is a legal move if and only if the following conditions are satisfied (proof in Appendix A.2):

- For all vertices $\{k\}$ adjacent to both $\{i\}$ and $\{j\}$ ($\{i, k\} \in K$ and $\{j, k\} \in K$), $\{i, j, k\}$ is a face of K .
- If $\{i\}$ and $\{j\}$ are both boundary vertices, $\{i, j\}$ is a boundary edge.
- K has more than 4 vertices if neither $\{i\}$ nor $\{j\}$ are boundary vertices, or K has more than 3 vertices if either $\{i\}$ or $\{j\}$ are boundary vertices.

¹In fact, we prove in Appendix A.3 that edge collapse and edge split are sufficient; we include edge swap to allow the optimization procedure to “tunnel” through small hills in the energy function.

An edge swap transformation $K \Rightarrow K'$ that replaces the edge $\{i, j\} \in K$ with $\{k, l\} \in K'$ is a legal move if and only if $\{k, l\} \notin K$.

4.3 Exploiting Locality

The idealized algorithm described so far is too inefficient to be of practical use. In this section, we describe some heuristics which dramatically reduce the running time. These heuristics capitalize on the fact that a local change in the structure of the mesh leaves the optimal positions of distant vertices essentially unchanged.

4.3.1 Heuristics for Evaluating the Effect of Legal Moves

Our strategy for selecting legal moves requires evaluation of $E(K') = \min_V E(K', V)$ for a simplicial complex K' obtained from K through a legal move. Ideally, we would use procedure `OptimizeVertexPositions` of Section 4.1 for this purpose, as indicated in Figure 3. In practice, however, this is too slow. Instead, we use fast local heuristics to estimate the effect of a legal move on the energy function.

Each of the heuristics is based on extracting a submesh in the neighborhood of the transformation, along with the subset of the data points projecting onto the submesh. The change in overall energy is estimated by only considering the contribution of the submesh and the corresponding point set. This estimate is always pessimistic, as full optimization would only further reduce the energy. Therefore, the heuristics never suggest changes that will increase the true energy of the mesh.

Definition of neighborhoods in a simplicial complex To refer to neighborhoods in a simplicial complex, we need to introduce some further notation. We write $s' \leq s$ to denote that simplex s' is a non-empty subset of simplex s . For simplex $s \in K$ (Figure 6):

$$\text{star}(s; K) = \{s' \in K : s \leq s'\}$$

$$\overline{\text{star}}(s; K) = \{s' \in K : \exists t \in \text{star}(s; K) : s' \leq t\}$$

$$\text{link}(s; K) = \overline{\text{star}}(s; K) \setminus \text{star}(s; K).$$

Evaluation of Edge Collapse To evaluate a transformation $K \Rightarrow K'$ collapsing an edge $\{i, j\}$ into a single vertex $\{h\}$ (Figure 5), we take the submesh to be $\text{star}(\{i\}; K) \cup \text{star}(\{j\}; K)$, and optimize over the single vertex position \mathbf{v}_h while holding all other vertex positions constant.

Because we perform only a small number of iterations (for reasons of efficiency), the initial choice of \mathbf{v}_h greatly influences the accuracy of the result. Therefore, we attempt three optimizations, with \mathbf{v}_h starting at \mathbf{v}_i , \mathbf{v}_j , and $\frac{1}{2}(\mathbf{v}_i + \mathbf{v}_j)$, and accept the best one.

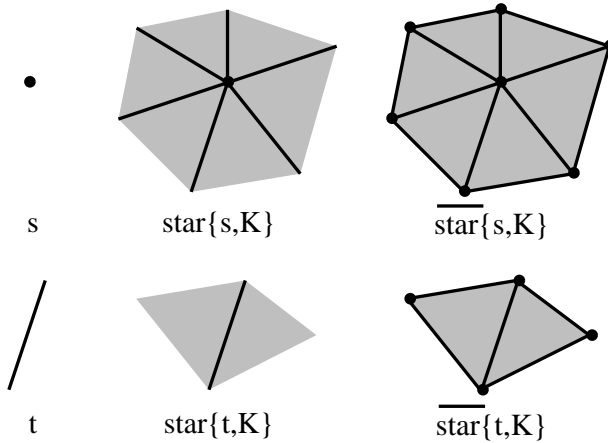


Figure 6: Neighborhood subsets of K .

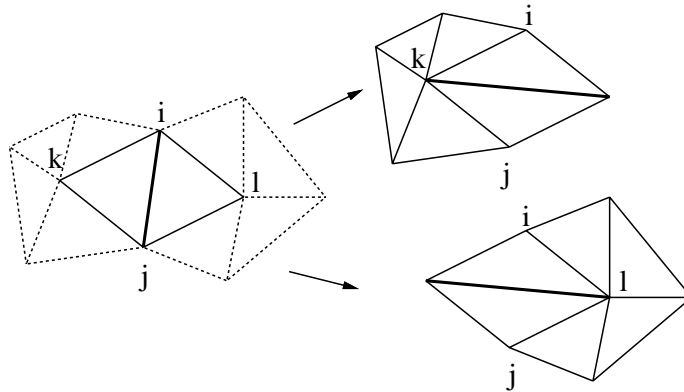


Figure 7: Two local optimizations to evaluate edge swap

The edge collapse should be allowed only if the new mesh does not intersect itself. Checking for this would be costly; instead we settle for a less expensive heuristic check. If, after the local optimization, the maximum dihedral angle of the edges in $\text{star}(\{h\}; K')$ is greater than some threshold, the edge collapse is rejected.

Evaluation of Edge Split The procedure is the same as for edge collapse, except that the submesh is defined to be $\text{star}(\{i, j\}; K)$, and the initial value of the new vertex \mathbf{v}_h is chosen to be $\frac{1}{2}(\mathbf{v}_i + \mathbf{v}_j)$.

Evaluation of Edge Swap To evaluate an edge swap transformation $K \Rightarrow K'$ that replaces an edge $\{i, j\} \in K$ with $\{k, l\} \in K'$, we consider two local optimizations, one with submesh $\text{star}(\{k\}; K')$, varying vertex \mathbf{v}_k , and one with submesh $\text{star}(\{l\}; K')$, varying vertex \mathbf{v}_l (Figure 7). The change in energy is taken to best of these. As is the case in evaluating an edge collapse, we reject the transformation if the maximum dihedral angle after the local optimization exceeds a

threshold.

4.3.2 Legal Move Selection Strategy (Procedure GenerateLegalMove)

The simple strategy for selecting legal moves described in Section 4.2 can be improved by exploiting locality. Instead of selecting edges completely at random, edges are selected from a candidate set. This candidate set consists of all edges that may lead to beneficial moves, and initially contains all edges.

To generate a legal move, we randomly remove an edge from the candidate set. We first consider collapsing the edge, accepting the move if it is legal and reduces the total energy. If the edge collapse is not accepted, we then consider edge swap and edge split in that order. If one of the transformations is accepted, we update the candidate set by adding all neighboring edges. The candidate set becomes very useful toward the end of optimization, when the fraction of beneficial moves diminishes.

4.4 Setting of the Spring Constant

We view the spring energy E_{spring} as a regularizing term that helps guide the optimization process to a good minimum. The spring constant κ determines the contribution of this term to the total energy. We have obtained good results by making successive calls to procedure `OptimizeMesh`, each with a different value of κ , according to a schedule that gradually decreases κ .

As an example, to obtain the final mesh in Figure 12c starting from the mesh in Figure 11c, we successively set κ to 10^{-2} , 10^{-3} , 10^{-4} , and 10^{-8} (see Figures 11f–12c). This same schedule was used in all the examples.

5 Results

5.1 Surface Reconstruction

From the set of points shown in Figure 11b, phase one of our reconstruction algorithm [5] produces the mesh shown in Figure 11c; this mesh has the correct topological type, but it is rather dense, is far away from the data, and lacks the sharp features of the original model (Figure 11a). Using this mesh as a starting point, mesh optimization produces the mesh in Figure 12c.

Figures 13a–13f show two examples of surface reconstruction from actual laser range data (courtesy of Technical Arts, Redmond, WA). Figures 13a and 13b show sets of points obtained by sampling two physical objects (a distributor cap and a golf club head) with a laser range finder. The outputs of phase one are shown in Figures 13c and 13d. The holes present in the surface of Figure 13c are artifacts of the data, as self-shadowing prevented some regions of the surface from being scanned. Adaptive selection of scanning paths preventing such shadowing is an interesting area of

future research. In this case, we manually filled the holes, leaving a single boundary at the bottom. Figures 13e and 13f show the optimized meshes obtained with our algorithm.

5.2 Mesh Simplification

For mesh simplification, we first sample a set of points randomly from the original mesh using uniform random sampling over area. Next, we add the vertices of the mesh to this point set. Finally, to more faithfully preserve the boundaries of the mesh, we sample additional points from boundary edges.

As an example of mesh simplification, we start with the mesh containing 2032 vertices shown in Figure 14a. From it, we obtain a sample of 6752 points shown in Figure 14b (4000 random points, 2032 vertex points, and 720 boundary points). Mesh optimization, with $c_{rep} = 10^{-5}$, reduces the mesh down to 487 vertices (Figure 14c). By setting $c_{rep} = 10^{-4}$, we obtain a coarser mesh of 239 vertices (Figure 14d).

As these examples illustrate, basing mesh simplification on a measure of distance between the simplified mesh and the original has a number of benefits:

- Vertices are dense in regions of high Gaussian curvature, whereas a few large faces span the flat regions.
- Long edges are aligned in directions of low curvature, and the aspect ratios of the triangles adjust to local curvature.
- Edges and vertices of the simplified mesh are placed near sharp features of the original mesh.

5.3 Segmentation

Mesh optimization enables us to detect sharp features in the underlying surface. Using a simple thresholding method, the optimized mesh can be segmented into smooth components. To this end, we build a graph in which the nodes are the faces of mesh. Two nodes of this graph are connected if the two corresponding faces are adjacent and their dihedral angle is smaller than a given threshold. The connected components of this graph identify the desired smooth segments. As an example, Figure 12e shows the segmentation of the optimized mesh into 11 components. After segmentation, vertex normals can be estimated from neighboring faces within each component, and a smoothly shaded surface can be created (Figure 12f).

5.4 Parameter Settings and Performance Statistics

Table 1 lists the specific parameter values of c_{rep} and κ used to generate the meshes in the examples, along with other performance statistics. In all these examples, the table entry “*varied*” refers to a spring constant schedule of $\{10^{-2}, 10^{-3}, 10^{-4}, 10^{-8}\}$. In fact, all meshes in Figure 1 are also created using the same parameters (except that c_{rep} was changed in two cases). Execution times were obtained on a DEC uniprocessor Alpha workstation.

Fig.	#vertices m	#faces	#data n	Parameters		Resulting energies		time (min.)
				c_{rep}	κ	E_{dist}	E	
11c	1572	3152	4102	-	-	8.57×10^{-2}	-	-
11e	1572	3152	4102	10^{-5}	10^{-2}	8.04×10^{-4}	4.84×10^{-2}	1.5
11f	508	1024	4102	10^{-5}	10^{-2}	6.84×10^{-4}	3.62×10^{-2}	(+3.0)
12a	270	548	4102	10^{-5}	10^{-3}	6.08×10^{-4}	6.94×10^{-3}	(+2.2)
12c	163	334	4102	10^{-5}	$10^{\{-2,-3,-4,-8\}}$	4.86×10^{-4}	2.12×10^{-3}	17.0
13c	9220	18272	12745	-	-	6.41×10^{-2}	-	-
13e	690	1348	12745	10^{-5}	$10^{\{-2,-3,-4,-8\}}$	4.23×10^{-3}	1.18×10^{-2}	47.0
13d	4059	8073	16864	-	-	2.20×10^{-2}	-	-
13f	262	515	16864	10^{-5}	$10^{\{-2,-3,-4,-8\}}$	2.19×10^{-3}	4.95×10^{-3}	44.5
14a	2032	3832	-	-	-	-	-	-
14c	487	916	6752	10^{-5}	$10^{\{-2,-3,-4,-8\}}$	1.86×10^{-3}	8.05×10^{-3}	9.9
14d	239	432	6752	10^{-4}	$10^{\{-2,-3,-4,-8\}}$	9.19×10^{-3}	4.39×10^{-2}	10.2

Table 1: Performance statistics for meshes shown in Figure 11.

6 Related Work

Surface Fitting There is a large body of literature on fitting embeddings of a rectangular domain; see Bolle and Vemuri [1] for a review. Schudy and Ballard [12, 13] fit embeddings of a sphere to point data. Goshtasby [4] works with embeddings of cylinders and tori. Sclaroff and Pentland [14] consider embeddings of a deformed superquadric. Miller et al. [8] approximate an isosurface of volume data by fitting a mesh homeomorphic to a sphere. While it appears that their method could be extended to finding isosurfaces of arbitrary topological type, it is less obvious how it could be modified to handle point instead of volume data. Mallet [6] discusses interpolation of functions over simplicial complexes of arbitrary topological type.

Our method allows fitting of a parametric surface of arbitrary topological type to a set of three-dimensional points. In [2], we sketched an algorithm for fitting a mesh of *fixed* vertex connectivity to the data. The algorithm presented here is an extension of this idea in which we also allow the number of vertices and their connectivity to vary. To the best of our knowledge, this has not been done before.

Mesh Simplification Two notable papers discussing the mesh simplification problem are Schroeder et al. [11] and Turk [16].

The motivation of Schroeder et al. is to simplify meshes generated by “marching cubes” that may consist of more than a million triangles. In their iterative approach, the basic operation is removal of a vertex and re-triangulation of the hole thus created. The criterion for vertex removal in the simplest case (interior vertex not on edge or corner) is the distance from the vertex to the plane approximating its surrounding vertices. It is worthwhile noting that this criterion only considers deviation of the new mesh from the mesh created in the previous iteration; deviation from the

original mesh does not figure in the strategy.

Turk’s goal is to reduce the amount of detail in a mesh while remaining faithful to the original topology and geometry. His basic idea is to distribute points on the existing mesh that are to become the new vertices. He then creates a triangulation containing both old and new vertices, and finally removes the old vertices. The density of the new vertices is chosen to be higher in areas of high curvature.

The principal advantage of our mesh simplification method compared to the techniques mentioned above is that we cast mesh simplification as an optimization problem: we find a new mesh of lower complexity that is as close as possible to the original mesh. This is recognized as a desirable property by Turk (Section 8, p. 63): “Another topic is finding measures of how closely matched a given re-tiling is to the original model. Can such a quality measure be used to guide the re-tiling process?”. Optimization automatically retains more vertices in areas of high curvature, and leads to faces that are elongated along directions of low curvature, another property recognized as desirable by Turk.

7 Summary and Future Work

We have described an energy minimization approach to solving the mesh optimization problem. The energy function we use consists of three terms: a distance energy that measures the closeness of fit, a representation energy that penalizes meshes with a large number of vertices, and a regularizing term that conceptually places springs of rest length zero on the edges of the mesh. Our minimization algorithm partitions the problem into two nested subproblems: an inner continuous minimization and an outer discrete minimization. The search space consists of all meshes homeomorphic to the starting mesh.

Mesh optimization has proven effective as the second phase of our method for surface reconstruction from unorganized points, as discussed in [5]. (Phase two is responsible for improving the geometric fit and reducing the number of vertices of the mesh produced in phase one.)

Our method has also performed well for mesh simplification, that is, the reduction of the number of vertices in a dense triangular mesh. It produces meshes whose edges align themselves along directions of low curvature, and whose vertices concentrate in areas of high Gaussian curvature. Because the energy does not penalize surfaces with sharp dihedral angles, the method can recover sharp edges and corners.

A number of areas of future research still remain, including:

- Investigate the use of more sophisticated optimization methods, such as simulated annealing for discrete optimization and quadratic methods for non-linear least squares optimization, in order to avoid undesirable local minima in the energy and to accelerate convergence.
- Gain more insight into the use of the spring energy as a regularizing term, especially in the presence of appreciable noise.
- Improve the speed of the algorithm and investigate implementations on parallel architectures.

- Develop methods for fitting higher order splines to more accurately and concisely model curved surfaces.
- Experiment with sparse, non-uniform, and noisy data.
- Extend the current algorithm to other distance measures such as maximum error (L^∞ norm) or average error (L^1 norm), instead of the current L^2 norm.

A Mathematical Appendix

In this appendix, we address some mathematical issues alluded to in the body of the paper. Section A.1 contains a proof that there is a mesh (K_{min}, V_{min}) at which the absolute minimum of the energy function is attained. In Section A.2, it is shown that the simplicial operations introduced in Section 4.2 are complete in the sense that they may be used to generate all triangulations of topological surfaces. In Section A.3, we prove the necessity and sufficiency of the criteria for legality of an edge collapse given in Section 4.2

A.1 Absolute Minima for the Energy Functional Can be Attained

Recall that one of the reasons for adding the spring energy term E_{spring} to the energy functions was to insure the existence of a mesh realizing a minimum. In this appendix, we prove that this is the case.

To see what is involved, let $e \geq 0$ be the absolute minimum of E and let (K_k, V_k) be a sequence of meshes with $\lim_{k \rightarrow \infty} E(K_k, V_k) = e$. Without the spring energy term, it is possible to construct examples in which the vertex configuration V_k becomes unbounded as k approaches infinity.

This cannot happen if the spring energy term is included. We will show that for sufficiently large V the energy functional $E(K, V)$ is bounded from below by a multiple of the square of the Euclidean norm of V . Consequently, the minimizing sequence (K_k, V_k) is contained in a finite ball and must, therefore, contain a subsequence converging to a mesh (K_{min}, V_{min}) . By construction $E(K_{min}, V_{min}) = e$.

Theorem 1 *There is a mesh (K_{min}, V_{min}) with the property that*

$$E(K, V) \geq E(K_{min}, V_{min})$$

for every mesh (K, V) .

Remark 1 *It is important to note here that the map $\phi_{V_{min}} : |K_{min}| \rightarrow \mathbf{R}^3$ may not be an embedding. In general, the minimum of E may be attained by a degenerate mapping whose image may not be an embedded manifold.*

We proceed now with the technicalities of the formal proof.

Recall that for a mesh (K, V) and a data set X , n is the number of data points and m is the number of vertices of K . Assume that X is contained in a ball of radius $r > 0$ centered at the origin. If $V = (\mathbf{v}_1, \mathbf{v}_2, \dots, \mathbf{v}_m)$ is viewed as a vector in \mathbf{R}^{3m} then its *Euclidean norm* on \mathbf{R}^{3m} is given by the formula

$$\|V\| = \sqrt{\sum_{i=1}^m \|\mathbf{v}_i\|^2}$$

where $\|\mathbf{v}_i\|$ is the standard Euclidean norm of \mathbf{R}^3 .

Lemma 1 *Suppose that $\|V\| \geq 4\sqrt{m}r$. Then*

$$E(K, V) \geq \min\left(\frac{4\kappa}{m^2}, 1\right) \frac{\|V\|^2}{16} + c_{rep} m$$

Proof. Recall that

$$E(K, V) = E_{spring}(K, V) + E_{dist}(K, V) + E_{rep}(K).$$

Let $b = \max_j \|\mathbf{v}_j\|$ and $a = \min_j \|\mathbf{v}_j\|$. Notice that b satisfies the inequality

$$b \geq \frac{\|V\|}{\sqrt{m}}.$$

There are two cases to consider: $a \leq b/2$ or $a > b/2$.

Suppose that $a \leq b/2$. Choose \mathbf{v}_{max} and \mathbf{v}_{min} in $\{\mathbf{v}_1, \dots, \mathbf{v}_m\}$ such that $a = \|\mathbf{v}_{min}\|$ and $b = \|\mathbf{v}_{max}\|$. There is a sequence of $k \leq m$ edges of K connecting \mathbf{v}_{max} to \mathbf{v}_{min} . The spring energy of these connecting edges is easily shown to be greater than $\kappa k(b-a)^2/k^2$. Since

$$k \left(\frac{b-a}{k}\right)^2 \geq \frac{(b-a)^2}{m} \geq \frac{b^2}{4m} \geq \frac{\|V\|^2}{4m^2},$$

the inequality

$$E_{spring}(K, V) \geq \frac{\kappa}{4m^2} \|V\|^2$$

holds when $a < b/2$.

Now suppose that $a > b/2$. Then for all $\mathbf{x}_i \in X$,

$$\text{dist}^2(\mathbf{x}_i, \phi_V(|K|)) \geq (a-r)^2 \geq \left(\frac{b}{2} - r\right)^2 \geq \left(\frac{\|V\|}{2\sqrt{m}} - r\right)^2 \geq \left(\frac{\|V\|}{2\sqrt{m}} - \frac{\|V\|}{4\sqrt{m}}\right)^2 = \frac{\|V\|^2}{16m}.$$

Hence,

$$E_{dist}(K, V) = \sum_{i=1}^n \text{dist}^2(\mathbf{x}_i, \phi_V(|K|)) \geq \frac{1}{16} \|V\|^2.$$

Consequently, if $\|V\| \geq 4\sqrt{m}r$ then

$$E_{spring}(K, V) + E_{dist}(K, V) \geq \min\left(\frac{1}{4}, \frac{\kappa}{m^2}\right) \frac{\|V\|^2}{4}$$

from which the inequality in the statement of the lemma follows. Q.E.D.

The next lemma is an immediate consequence of Lemma 1 and the definition of the energy functional.

Lemma 2 *Let $b = E(K_0, V_0)$ where (K_0, V_0) is a mesh. Suppose that (K, V) is another mesh such that $E(K, V) \leq b$ and let m be the number of vertices of K . Then*

- $m \leq b/c_{rep}$.
- $\|V\| \leq 4 \max \left(\sqrt{m} r, \sqrt{\frac{b}{\min(4\kappa/m^2, 1)}} \right) \leq 4 \max \left(\sqrt{\frac{b}{c_{rep}}} r, \sqrt{\frac{b}{\min(4\kappa c_{rep}^2/b^2, 1)}} \right)$.

Proof. (of Theorem 1) Choose a sequence of meshes (K_k, V_k) with $\lim_{k \rightarrow \infty} E(K_k, V_k) = e$. Let m_k be the number of vertices of K_k . First note that since $E(K_k, V_k) \geq c_{rep} m_k$, the number of vertices in K_k is bounded by an integer M . But there are only a finite number of simplicial complexes with at most M vertices. Consequently, we may choose a subsequence $k_{j'}$ with $K_{k_{j'}} = K_{k_{j'+1}}$ for all j' and with $\lim_{j' \rightarrow \infty} E(K_{k_{j'}}, V_{k_{j'}}) = e$. Let K_{min} denote such a complex.

By Lemma 2 the vectors $V_{k_{j'}}$ all lie within a ball of finite radius. By compactness, there is a subsequence of $V_{k_{j'}}$, which converges to a vector V_{min} . The mesh (K_{min}, V_{min}) satisfies the condition of the theorem. Q.E.D.

A.2 Completeness of Operations

We want to show that the operations of edge split, edge swap and edge collapse form a complete set in the sense that if K and L are simplicial surfaces with homeomorphic topological realizations then L can be obtained from K by a finite sequence of edge splits, edge swaps and edge collapses.

Although edge swaps have proved useful in our optimization procedure, the next proposition shows that they are not needed to prove completeness.

Proposition 1 *An edge swap is equivalent to an edge split followed by an edge collapse.*

Proof. Let $T_1 = \{v_1, v_2, v_3\}$ and $T_2 = \{v_1, v_2, v_4\}$ be two triangles of a simplicial surface K with common edge $e = \{v_1, v_2\}$. An edge swap along e , modifies K to give a new complex K' obtained by replacing e with the edge $e' = \{v_3, v_4\}$ and T_1 and T_2 with the new triangles $T'_1 = \{v_1, v_3, v_4\}$ and $T'_2 = \{v_2, v_3, v_4\}$. This is equivalent to performing an edge split along e followed by an edge collapse (see Figure 8). Q.E.D.

Theorem 2 (Completeness) *Let K and L be two simplicial surfaces such that $|K|$ and $|L|$ are homeomorphic. Then L is isomorphic to a simplicial complex obtained from K by a finite sequence of edge collapses and edge splits.*

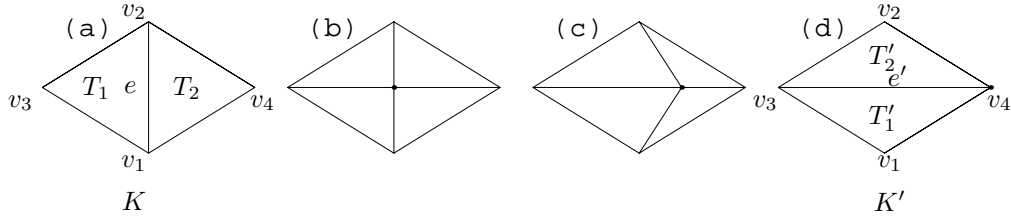


Figure 8: An Edge swap is equivalent to an edge split followed by an edge collapse.

To facilitate the proof of the theorem, we review of some basic facts about simplicial complexes (see [10]). Recall that a *simplicial surface* K is a finite simplicial complex whose topological realization $|K|$ is homeomorphic to a compact 2-dimensional manifold, possibly with boundary. If M is a compact topological surface, a *triangulation* of M is a simplicial surface K , together with a homeomorphism from $|K|$ to M .

A *subdivision* of K , written $K' \triangleleft K$, is a simplicial complex K' , together with a homeomorphism, $\phi : |K'| \rightarrow |K|$, which is affine linear on $|\sigma|$ for each simplex $\sigma \in K'$. Thus, the vertices of K' can be identified with points of $|K|$ and K' induces a triangulation of each each 2-simplex of $|K|$.

If K and L are two simplicial surfaces, a *simplicial map*, $\phi : K \rightarrow L$ is a map from the set of vertices of K to the set of vertices of L , such that if $\sigma = \{v_0, v_1, \dots, v_k\}$ is a k -simplex of K then $\phi(\sigma) = \{\phi(v_0), \phi(v_1), \dots, \phi(v_k)\}$ is contained in a simplex of L . A simplicial map $\phi : K \rightarrow L$ is called a *simplicial isomorphism* if it is a bijection and ϕ^{-1} is a simplicial map.

A simplicial map ϕ extends to a piecewise linear map $|\phi| : |K| \rightarrow |L|$ by the formula

$$|\phi|(\sum_i b_i v_i) = \sum_i b_i \phi(v_i),$$

where v_i are the vertices² of K and b_i are the barycentric coordinates of a point in $|K|$. If ϕ is a simplicial isomorphism then $|\phi|$ is a piecewise linear homeomorphism.

We need the following well known theorem from piecewise linear topology [9, Theorem 5, page 64]

Theorem 3 *If K and L are two simplicial surfaces with homeomorphic topological realizations then there are subdivisions $K' \triangleleft K$ and $L' \triangleleft L$ and a simplicial isomorphism $\phi : K' \rightarrow L'$.*

Our proof of Theorem 2 relies on the observation that the operation of performing an edge collapse can be undone by a sequence of edge splits and edge collapses.

²As is standard, we abuse notation slightly and identify vertices, 0-simplices, and their images in the topological realization of the complex. That is, $v = \{v\} = |v|$.

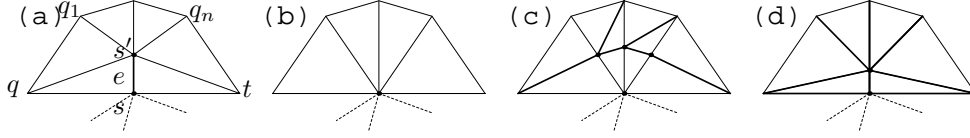


Figure 9: An edge collapse ((a) \Rightarrow (b)) can be reversed by a sequence of edge splits ((b) \Rightarrow (c)) followed by a sequence of edge collapses ((c) \Rightarrow (d)).

Lemma 3 *Suppose that the simplicial surface L is obtained from the simplicial surface K by an edge collapse. Then K is isomorphic to a simplicial surface obtained from L by a sequence of edge splits followed by a sequence of edge collapses.*

Proof. Suppose that L is obtained from K by collapsing the edge $e = \{s, s'\}$ which is common to the two triangles $T = \{q, s, s'\}$ and $T' = \{s, s', t\}$. Suppose the link of vertex s' consists of the set of vertices $\{q = q_0, q_1, q_2, q_3, \dots, q_n, t = q_{n+1}, s\}$. Let $T_j = \{q_{j-1}, q_j, r\}$, $j = 1, \dots, (n+1)$. Thus, L is obtained from K by identifying s' with s and removing the triangles T and T' (see Figure 9 (a) and (b)).

To recover K from L , begin by sequentially performing edge splits along the edges $\{s, q_1\}$, $\{s, q_2\}$, \dots , $\{s, q_n\}$. Label the new vertices thus obtained s_1, s_2, \dots, s_n , and let L' denote the final simplicial surface (see Figure 9 (c)).

Let L'' denote the simplicial surface obtained by sequentially collapsing the edges $\{s_1, s_2\}$, $\{s_2, s_3\}$, \dots , $\{s_{n-1}, s_n\}$ and denoting by s' the single vertex to which s_1, \dots, s_n collapse. It is not difficult to see that, with this labeling, $L'' = K$. (see Figure 9(d)).

A similar argument applies in the case where e is a boundary edge and, thus, common to only one triangle. We leave a formal proof of this case to the reader. Q.E.D.

Lemma 4 *If K' is a subdivision of a simplicial surface K , then K can be obtained from K' via a sequence of edge collapses.*

Proof. Because K' is a subdivision of K there is a piecewise linear homeomorphism $\phi : |K'| \rightarrow |K|$. We will obtain K from K' in three steps:

Step 1. For each triangle T of K , let V_T denote the set of vertices of K' which map under ϕ to the interior of $|T|$. (For some triangles, V_T may be empty.) Suppose that K_1 is the simplicial surface obtained by identifying the vertices of each non-empty V_T with a single vertex v_T . This can be done via a sequence of edge collapses along edges joining vertices formed by identifying vertices of V_T . To see that K_1 is a subdivision of K , we need only construct a piecewise linear homeomorphism $\phi' : |K_1| \rightarrow |K|$. Set $\phi_1(v) = \phi(v)$ if v is not of the form v_T and let $\phi(v_T)$ be the

barycenter of $|T|$ for each v_T , for $V_T \neq \emptyset$. It is not difficult to verify that ϕ_1 extends uniquely to a piecewise linear homeomorphism $\phi_1 : |K_1| \rightarrow |K|$.

Step 2. Let V_E denote the set of vertices of K_1 mapping under ϕ_1 to the interior of an edge of $|K|$. Let K_2 be the simplicial surface obtained by identifying the vertices of each non-empty V_E to a single vertex v_E . Notice that K_2 can be obtained from K_1 by a sequence of edge collapses along edges joining only pairs of vertices contained in a single set of the form V_E . It is not difficult to show that K_2 is a subdivision of K and that the homeomorphism $\phi_2 : |K_2| \rightarrow |K|$ can be chosen so that $\phi_2(v_E)$ is the barycenter of the edge E for each non-empty V_E .

Step 3. Let K_3 be the simplicial complex obtained from K_2 by collapsing each edge joining a vertex of the form v_E to a vertex of K . Each vertex of K_3 can be identified with either a vertex of K or with the barycenter of a triangle of K and the piecewise linear map $\phi_3 : |K_3| \rightarrow |K|$ induced by this identification is a homeomorphism. Thus, K_3 is a subdivision of K .

Step 4. Finally, for each vertex of K_3 of the form v_T , collapse an edge of K_3 joining v_T to a vertex of K . The resulting complex is K . Q.E.D.

Proof.(of Theorem 2) . First note that by Theorem 3, there are subdivisions $K' \triangleleft K$ and $L' \triangleleft L$, such that K' and L' are isomorphic.

By Lemma 4, K can be obtained from K' and L from L' by finite sequences of edge collapses.

But, by Lemma 3, each edge collapse can be reversed by a sequence of edge splits and edge collapses. Consequently K' can be obtained from K by a finite sequence of edge collapses and edge splits.

Since there is a finite sequence of edge collapses and edge splits transforming K into K' , which is isomorphic to L' , and there is a finite sequence of edge splits and edge collapses transforming L' into L , it follows that there is a finite sequence of edge splits and edge collapses transforming K into a simplicial complex which is isomorphic to L . Q.E.D.

A.3 Tests for Legality of an Edge Collapse

The purpose of this appendix is to prove Theorem 4 which shows that the conditions given in Section 4.2.1 are necessary and sufficient for an edge collapse to be legal.

Let K be a simplicial complex whose topological realization $|K|$ is a compact surface with possibly non-empty boundary. Let K' be the simplicial complex obtained by identifying the vertices i and j , where $\{i, j\}$ is a 1-simplex of K . We say that K' is obtained from K by an *edge collapse*. Recall that we require that $|K'|$ be homeomorphic to $|K|$. When such is the case, we say that the edge collapse $\{i, j\} \rightarrow h$ is *legal*. Not all edge collapses are legal.

Theorem 4 *Let K' be the simplicial complex obtained from the simplicial complex K by collapsing the edge $\{i, j\}$. Then $|K'|$ is homeomorphic to $|K|$ if and only if the following conditions are all satisfied:*

1. K has more than 4 vertices if neither $\{i\}$ nor $\{j\}$ are boundary vertices, or K has more than 3 vertices if either $\{i\}$ or $\{j\}$ are boundary vertices.
2. If i and j are both boundary vertices, $\{i, j\}$ is a boundary edge.
3. For all vertices k adjacent to both i and j (i.e. $\{i, k\} \in K$ and $\{j, k\} \in K$), $\{i, j, k\}$ is a face of K .

We consider first the case where K has fewer than 5 vertices. Observe that no edge collapses are legal if K has only 3 vertices. For each simplicial surface has at least 3 vertices (since it must have at least one 2-simplex). Since this is true of K' , the complex K must have at least 4 vertices.

Now suppose that K has exactly 4 vertices. Then condition (3) is automatically satisfied. If K admits an edge collapse, then K' has 3 vertices and so $|K'|$ is homeomorphic to a disk. But then $|K|$ is also homeomorphic to a disk and so has non-empty boundary. Notice, that in this case, K may have only two possible configurations (either 2 or 3 faces), and conditions (1) and (2) ensure that only legal edge collapses are allowed.

We have now shown that conditions (1)–(3) are necessary and sufficient in the case where K has fewer than 5 vertices. Henceforth, we shall assume that K has at least 5 vertices.

The proof of Theorem 4 relies on finding a useful characterization of simplicial surfaces. To give it, we need a few definitions. If s is a simplex of K then $\overset{\circ}{s}$ denotes the interior of the topological space $|s|$. Thus, if s is a 2-simplex then $\overset{\circ}{s}$ is homeomorphic to an open disk, if s is a 1-simplex then $\overset{\circ}{s}$ is homeomorphic to an open interval and if s is a 0-simplex $\overset{\circ}{s} = |s|$. If L is a subset of K (not necessarily a subcomplex) then the *topological realization* of L (also called the *underlying topological space* of L) is the topological subspace

$$|L| = \bigcup_{s \in L} \overset{\circ}{s} \subset |K|.$$

The *standard open disk* is the set of points $D = \{(x, y) \mid x^2 + y^2 < 1\} \subset \mathbf{R}^2$ and the *standard half-open disk* is the subset set $D_+ = \{(x, y) \in D \mid y \geq 0\}$. The closures of D and D_+ in \mathbf{R}^2 are written \overline{D} and \overline{D}_+ , respectively. The *standard circle*, written S , is the boundary of \overline{D} . The *half-circle* S_+ is the intersection $S \cap \overline{D}_+$.

By definition, a simplicial surface K is a simplicial complex with the property that, for each vertex v , there is a homeomorphism between $|\star v; K|$ and either D or D_+ sending v to the origin. If v is an interior vertex then $|\star v; K|$ is homeomorphic to D and if v is a boundary vertex then $|\star v; K|$ is homeomorphic to D_+ . For our purposes, a different (but equivalent) characterization is needed. It is not difficult to show that $|\star v; K|$ is homeomorphic to D if and only if $|\text{link}(v; K)|$ is homeomorphic to S and that it is homeomorphic to D_+ if and only if $|\text{link}(v; K)|$ is homeomorphic to the half-circle S_+ . This leads to the characterization of simplicial surfaces given in the next lemma.

Lemma 5 *A simplicial complex K of dimension 2 is a simplicial surface if and only if for each vertex v of K the topological space $|\text{link}(v; K)|$ is homeomorphic to either the circle S (in which case, v is an interior vertex) or a half-circle S_+ (in which case, v is a boundary vertex).*

Proof of Necessity. We now show that conditions (2) and (3) are necessary conditions for $\{i, j\} \rightarrow h$ to be legal.

Consider first condition (2) by showing that if the edge collapse $\{i, j\} \rightarrow h$ is legal and i and j are boundary vertices then $\{i, j\}$ must be a boundary edge. Suppose that i and j are both boundary vertices and suppose by way of contradiction that $\{i, j\}$ is not a boundary edge. The vertices i and j are each incident to two boundary edges and the boundary edges incident to i and to j are disjoint (since they necessarily have distinct endpoints). But then a total of 4 boundary edges of K' will be incident to h . Since h can only be incident to 2 boundary edges we have reached a contradiction.

To prove the necessity of condition (3). Suppose that k is a vertex of K such that $\{k, i\}$ and $\{k, j\}$ are in K but $\{i, j, k\}$ is not a simplex of K . There are two cases to consider: (i) k an interior vertex and (ii) k a boundary vertex.

(i) Suppose that k is an interior vertex. Then $|\text{link}(k; K)|$ is homeomorphic to a circle. Hence, there are vertices $p_a, a = 1, 2, \dots, n, n > 2$ such that

$$\text{link}(k; K) = \{\{p_1\}, \{p_2\}, \dots, \{p_n\}\} \cup \{\{p_1, p_2\}, \{p_2, p_3\}, \dots, \{p_n, p_1\}\}.$$

Moreover, $\{p_a, p_{a+1}, k\}$ is a simplex of K for $a = 1, 2, \dots, n$ (where $p_{n+1} = p_1$). We may arrange that $i = p_1$ and because $\{i, j, k\}$ is not a simplex of K , $j = p_a$ for some $1 < a < n$. The existence of such a configuration, however, implies that the space K' is not a surface. For the link of k in K' is the simplicial complex obtained from $\text{link}(k; K)$ by identifying the points p_1 and p_a . It is easily seen that the topological realization of this is a “figure-8”. But this contradicts Lemma 5 with K replaced by K' .

(ii) Consider next the case where k is a boundary vertex. Then there are vertices $p_a, a = 1, 2, \dots, n, n > 1$ such that

$$\text{link}(k; K) = \{\{p_1\}, \{p_2\}, \dots, \{p_n\}\} \cup \{\{p_1, p_2\}, \{p_2, p_3\}, \dots, \{p_{n-1}, p_n\}\}.$$

Moreover, $\{p_a, p_{a+1}, k\}$ is a simplex of K for $a = 1, 2, \dots, n - 1$ and $\{k, p_1\}$ and $\{k, p_n\}$ are both boundary edges. In this case, $|\text{link}(k; K)|$ is homeomorphic to the half-circle. Again $\text{link}(k; K')$ is obtained from $\text{link}(k; K)$ by identifying i and j and again Lemma 5 applies. Thus $|\text{link}(k; K')|$ must be homeomorphic to either the circle or the half-circle.

If either of i or j is p_a for $1 < a < n$ then the $|\text{link}(k; K')|$ is easily seen to be homeomorphic to neither the circle nor the half-circle (it is the space obtained by identifying an interior point of the closed unit interval with another point of the interval). Hence, we may assume that $p_1 = i$ and $p_n = j$. The union of the three edges $\{i, j\}$, $\{j, k\}$ and $\{k, i\}$ then forms a boundary component of K , and the effect of the edge collapse $\{i, j\} \rightarrow h$ is to remove one of the boundary components of K . Hence, although it may happen that K' is a simplicial surface, the two topological spaces $|K|$

and $|K'|$ cannot be homeomorphic since (if they are both surfaces) their boundaries have different numbers of boundary components.

Proof of Sufficiency. Now suppose that the number of vertices of K is at least 5 and that conditions (2) and (3) are satisfied. We want to show that the spaces $|K|$ and $|K'|$ are homeomorphic.

Observe that K and K' agree outside of simplicial neighborhoods of $\{i, j\}$ and h . More precisely, if we set

$$N = \overline{\star i; K} \cup \overline{\star j; K} \text{ and } N' = \overline{\star h; K'}$$

and

$$C = L \cap N = L \cap N', \tag{1}$$

then

$$L := K - N = K' - N'.$$

The topological space $|L|$ can thus be viewed in two ways:

- as the space obtained by removing the open set $|\star i \cup \star j|$ from $|K|$
- or as the space obtained by removing the open set $|\star h|$ from $|K'|$.

This construction can be reversed:

$$|K| = |L| \cup |N| \text{ and } |K| \cap |N| = |C|$$

and

$$|K'| = |L| \cup |N'| \text{ and } |K'| \cap |N'| = |C|$$

(i.e. $|K|$ is obtained by attaching $|N|$ to $|L|$ along the set $|C|$ and $|K'|$ is obtained attaching $|N'|$ to $|L|$ along $|C|$).

Thus, $|K|$ and $|K'|$ are homeomorphic if and only if there is a homeomorphism between $|N|$ and $|N'|$ which is the identity on $|C|$. We show that this is in fact the case. It is best to consider separately the three cases: (a) i and j both interior vertices, (b) exactly one of i and j are interior vertices and (c) both i and j are boundary vertices.

Case (a). Suppose that i and j are both interior vertices. Then there are exactly two vertices p_0 and q_0 such that the simplices $\{j, i, p_0\}$ and $\{i, j, q_0\}$ are in K . Because K is a simplicial surface, the links of i and j are circles. Hence, there are vertices

$$p_0, p_1, \dots, p_m = q_0 \text{ and } q_0, q_1, \dots, q_n = p_0,$$

such that

$$\{j, p_a, p_{a+1}\} \text{ is in } K \text{ for } a = 0, 1, \dots, m-1$$

and

$$\{i, q_b, q_{b+1}\} \text{ is in } K \text{ for } b = 0, 1, \dots, n-1.$$

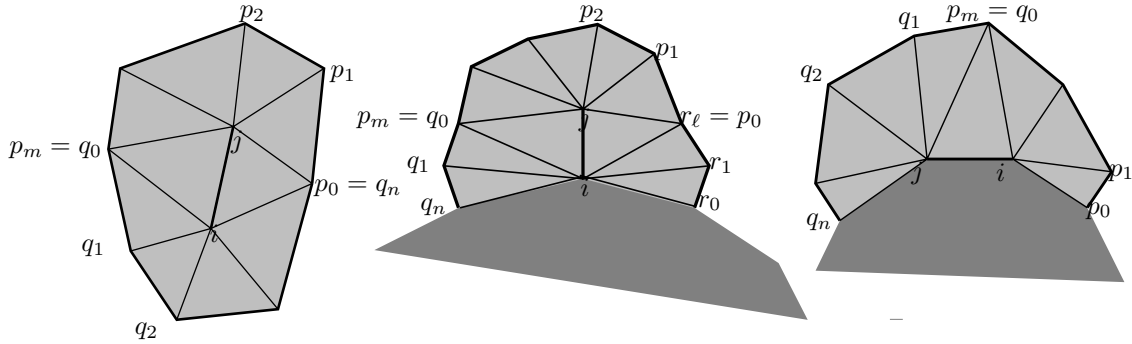


Figure 10: The sets N in the cases where: (a) i and j are both interior vertices, (b) i is a boundary vertex and j is an interior vertex, and (c) i and j are both boundary vertices.

Thus,

$$|\overline{\star j; K}| = |\{i, j, p_0\}| \cup \bigcup_{a=0}^{m-1} |\{j, p_a, p_{a+1}\}| \cup |\{i, j, q_0\}|$$

and

$$|\overline{\star i; K}| = |\{i, j, q_0\}| \cup \bigcup_{b=0}^{n-1} |\{i, q_b, q_{b+1}\}| \cup |\{i, j, p_0\}|$$

We claim that the vertices

$$p_0, p_1, \dots, p_{m-1}, q_0, q_1, \dots, q_{n-1}$$

are distinct. To see this note first that p_a , $a = 0, 1, \dots, m$ are distinct because $|\text{link}(j; K)|$ is a circle. By the same reasoning, q_b , $b = 0, 1, \dots, n$ are distinct. Now if $p_a = q_b$ for some $0 \leq a \leq m$ and $0 \leq b \leq n$, then condition (3) implies that $\{i, j, p_a\}$ is in K . Hence, either $(a, b) = (m, 0)$ or $(a, b) = (0, n)$.

Observe also that $m + n > 2$. For suppose not then $\{i, p_0, q_0\}$ and $\{j, p_0, q_0\}$ are in K from which it is not difficult to show that K has only 4 vertices and is a tetrahedron.

Thus,

$$|N| = \bigcup_{a=0}^{m-1} |\sigma_{p_a}| \cup \bigcup_{b=0}^{n-1} |\sigma_{q_b}|$$

is homeomorphic to \overline{D} and $|C|$ (the boundary of $|N|$) is homeomorphic to S . It is now easy to construct a homeomorphism between $|N|$ and $|N'|$ which is the identity on $|C|$ from which it follows that $|K|$ and $|K'|$ are homeomorphic.

Case (b). Suppose that i is a boundary vertex and j is an interior vertex. Then there are exactly two vertices p_0 and q_0 such that $\{j, i, p_0\}$ and $\{i, j, q_0\}$ are in K . Because K is a simplicial surface, the link of i is a half-circle and the link of j is a circle. Hence, there are vertices

$$r_0, r_1, \dots, r_\ell = p_0, \text{ and } p_0, p_1, \dots, p_m = q_0, \text{ and } q_0, q_1, \dots, q_n,$$

such that

$$\{i, r_a, r_{a+1}\} \in K \text{ for } a = 0, 1, \dots, \ell - 1,$$

$$\{j, p_b, p_{b+1}\} \in K \text{ for } b = 0, 1, \dots, m-1$$

and

$$\{i, q_c, q_{c+1}\} \in K \text{ for } c = 0, 1, \dots, n-1.$$

Consequently,

$$|\overline{\star j; K}| = \bigcup_{b=0}^{m-1} |\{j, p_b, p_{b+1}\}| \cup |\{i, j, q_0\}| \cup |\{i, j, p_0\}|$$

and

$$|\overline{\star i; K}| = \bigcup_{a=0}^{\ell-1} |\{i, r_a, r_{a+1}\}| \cup |\{i, j, p_0\}| \cup |\{i, j, q_0\}| \cup \bigcup_{c=0}^{n-1} |\{i, q_c, q_{c+1}\}|$$

We claim that the vertices

$$r_0, \dots, r_{\ell-1}, p_0, \dots, p_{m-1}, q_0, \dots, q_{n-1}$$

are distinct. The reasoning is the same as that used in case (a); we leave it to the reader to fill in the details. This implies that

$$|N| = \bigcup_{a=0}^{\ell-1} |\{i, r_a, r_{a+1}\}| \cup \bigcup_{b=0}^{m-1} |\{j, p_b, p_{b+1}\}| \cup \bigcup_{c=0}^{n-1} |\{j, q_c, q_{c+1}\}|$$

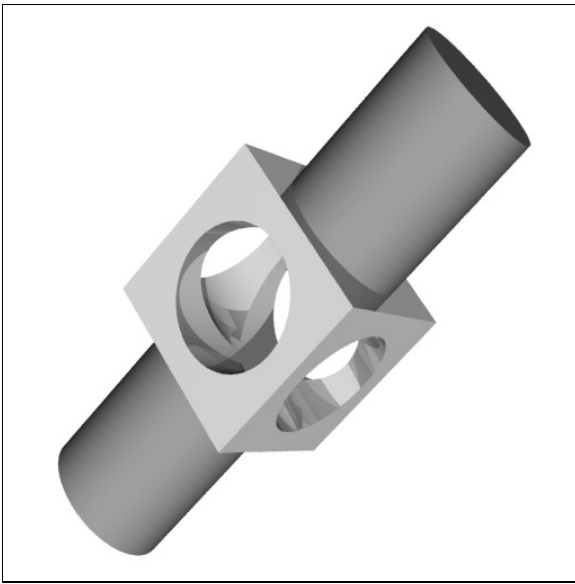
is homeomorphic to the closed half-disk \overline{D}_+ and $|C|$ to the half-circle S_+ . The construction of a homeomorphism between $|N|$ and $|N'|$ which is the identity on $|C|$ and which sends i to h is then routine. Thus, in this case, too, the spaces $|K|$ and $|K'|$ are homeomorphic.

Case (c) Reasoning similar to that of cases (a) and (b) shows that $|N|$ is homeomorphic to the half-disk \overline{D}_+ and $|C|$ is homeomorphic to the half-circle S_+ , and that there is a homeomorphism from $|N|$ to $|N'|$ which is the identity on $|C|$ and sends i to h . Hence, $|K|$ and $|K'|$ are homeomorphic. Details are left to the reader.

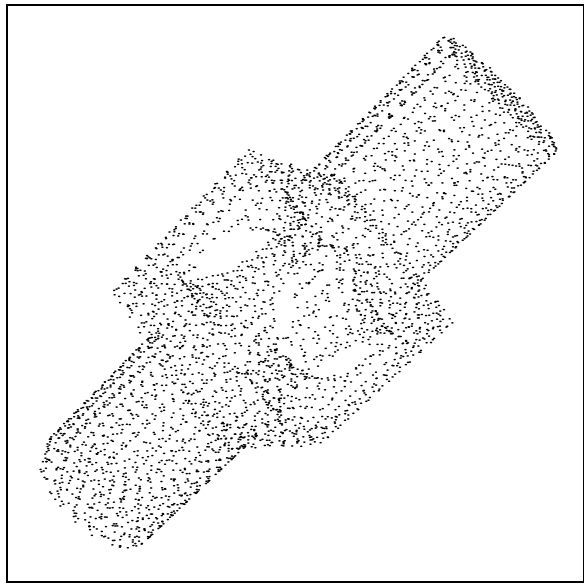
References

- [1] Ruud M. Bolle and Baba C. Vemuri. On three-dimensional surface reconstruction methods. *IEEE PAMI*, 13(1):1–13, January 1991.
- [2] T. DeRose, H. Hoppe, T. Duchamp, J. McDonald, and W. Stuetzle. Fitting of surfaces to scattered data. *SPIE*, 1830:212–220, 1992.
- [3] Gene Golub and Charles Van Loan. *Matrix Computations*. John Hopkins University Press, 2nd edition, 1989.
- [4] Ardeshir Goshtasby. Surface reconstruction from scattered measurements. *SPIE*, 1830:247–256, 1992.
- [5] H. Hoppe, T. DeRose, T. Duchamp, J. McDonald, and W. Stuetzle. Surface reconstruction from unorganized points. *Computer Graphics (SIGGRAPH '92 Proceedings)*, 26(2):71–78, July 1992.
- [6] J.L. Mallet. Discrete smooth interpolation in geometric modeling. *CAD*, 24(4):178–191, April 1992.
- [7] Samuel Marin and Philip Smith. Parametric approximation of data using ODR splines. GMR 7057, General Motors Research Laboratories, May 1990.
- [8] J.V. Miller, D.E. Breen, W.E. Lorensen, R.M. O’Bara, and M.J. Wozny. Geometrically deformed models: A method for extracting closed geometric models from volume data. *Computer Graphics (SIGGRAPH '91 Proceedings)*, 25(4):217–226, July 1991.
- [9] Edwin E. Moise. *Geometric Topology in Dimensions 2 and 3*, volume 47 of *Graduate Texts in Mathematics*. Springer-Verlag, New York, Heidelberg, Berlin, 1977.
- [10] C.P. Rourke and B.J. Sanderson. *Introduction to piecewise-linear topology*, volume 69 of *Ergebnisse der Mathematik und ihrer Grenzgebiete*. Springer-Verlag, New York, Heidelberg, Berlin, 1972.
- [11] William Schroeder, Jonathan Zarge, and William Lorensen. Decimation of triangle meshes. *Computer Graphics (SIGGRAPH '92 Proceedings)*, 26(2):65–70, July 1992.
- [12] R. B. Schudy and D. H. Ballard. Model detection of cardiac chambers in ultrasound images. Technical Report 12, Computer Science Department, University of Rochester, 1978.
- [13] R. B. Schudy and D. H. Ballard. Towards an anatomical model of heart motion as seen in 4-d cardiac ultrasound data. In *Proceedings of the 6th Conference on Computer Applications in Radiology and Computer-Aided Analysis of Radiological Images*, 1979.
- [14] Stan Sclaroff and Alex Pentland. Generalized implicit functions for computer graphics. *Computer Graphics (SIGGRAPH '91 Proceedings)*, 25(4):247–250, July 1991.
- [15] E. H. Spanier. *Algebraic Topology*. McGraw-Hill, New York, 1966.

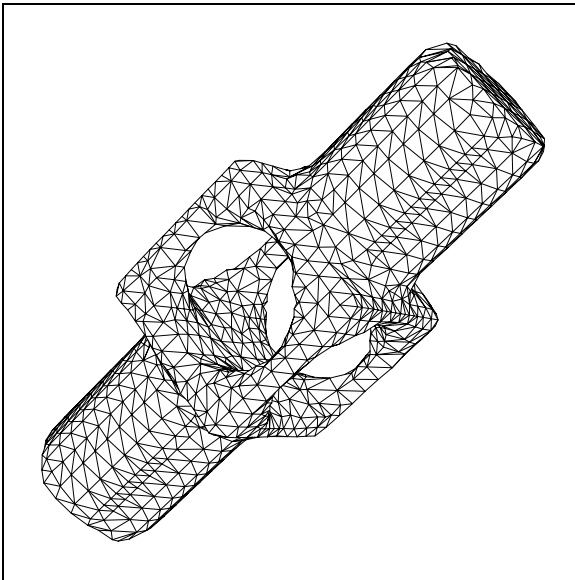
- [16] Greg Turk. Re-tiling polygonal surfaces. *Computer Graphics (SIGGRAPH '92 Proceedings)*, 26(2):55–64, July 1992.
- [17] G. Wyvill, C. McPheeters, and B. Wyvill. Data structures for soft objects. *The Visual Computer*, 2(4):227–234, August 1986.



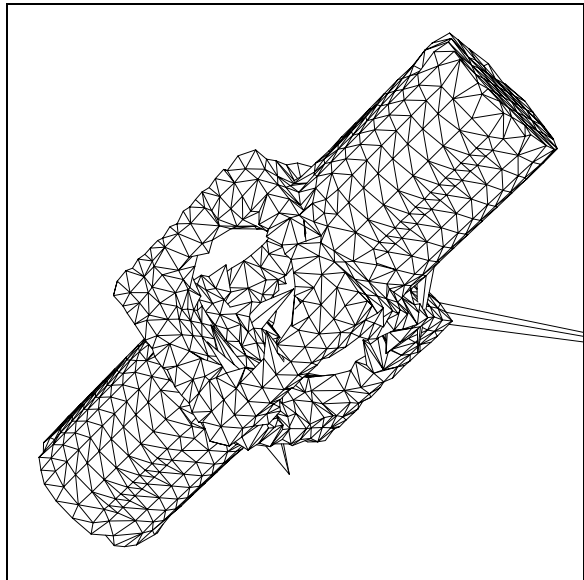
(a) Object to be sampled



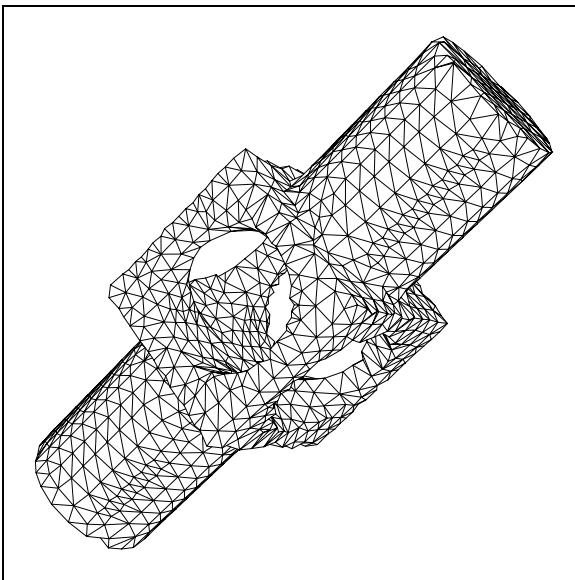
(b) Sampled points X ($n = 4102$)



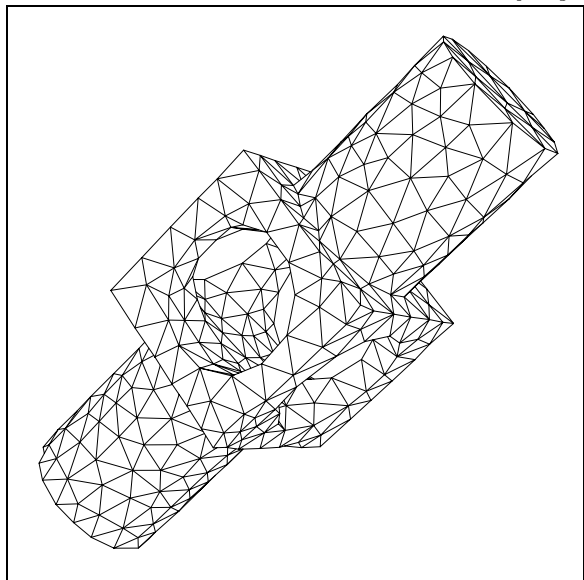
(c) Output of phase one (M_0)



(d) Result of mesh optimization without E_{spring}

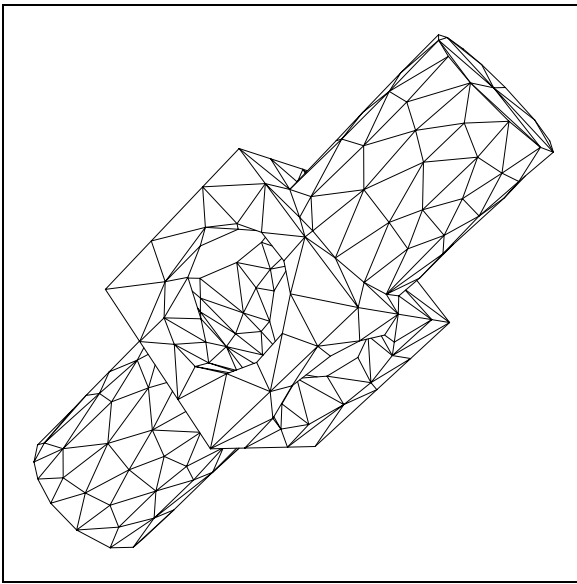


(e) Optimization for fixed K_0 ($\kappa = 10^{-2}$)

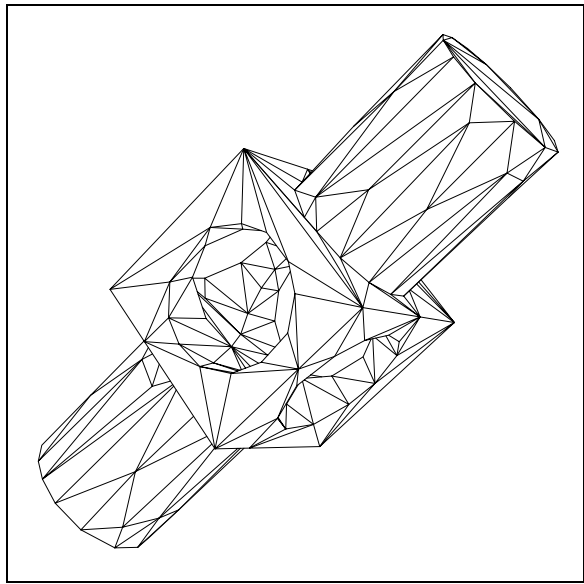


(f) Optimization with $\kappa = 10^{-2}$

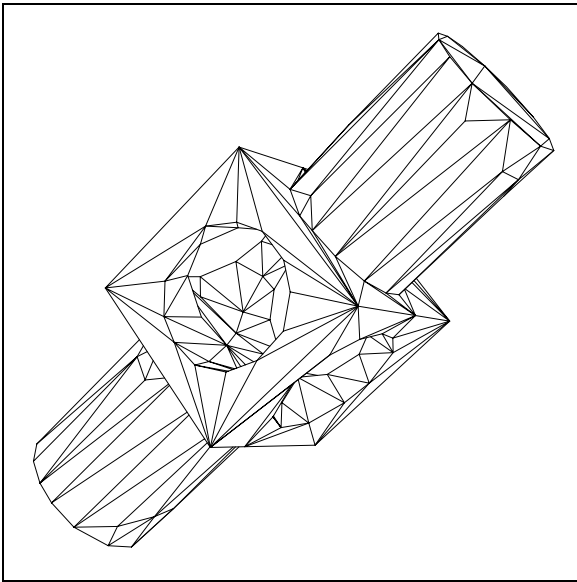
Figure 11: Surface reconstruction from simulated multi-view range data.



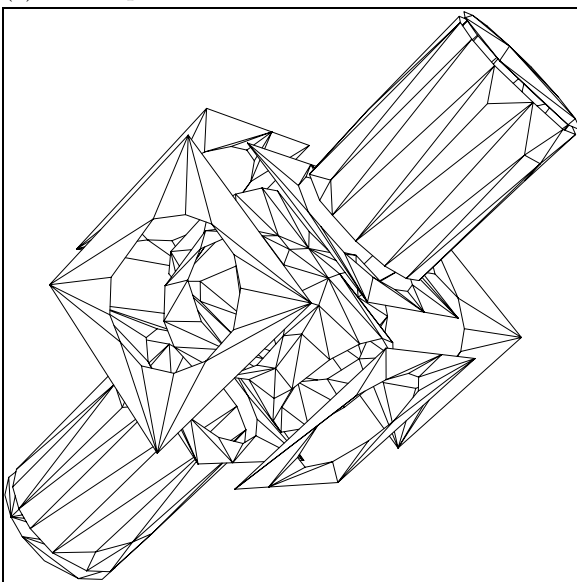
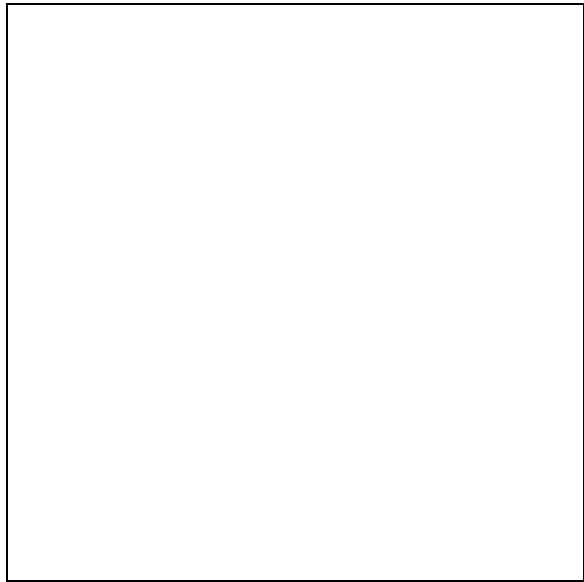
(a) Optimization with $\kappa = 10^{-3}$



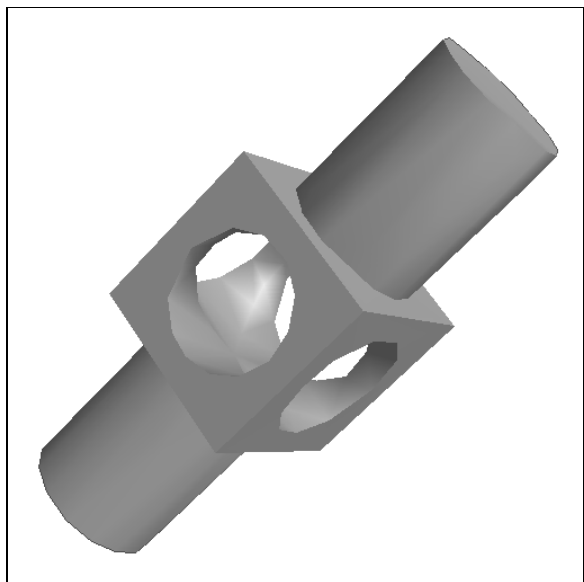
(b) Optimization with $\kappa = 10^{-4}$



(c) Final optimization with $\kappa = 10^{-8}$

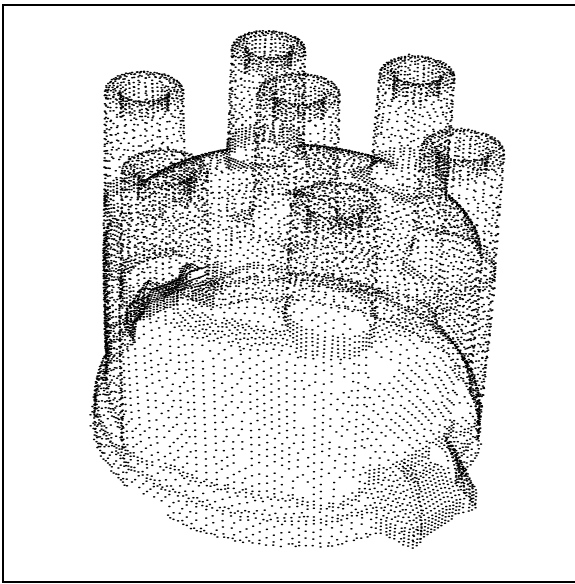


(e) Surface segmentation (11 components)

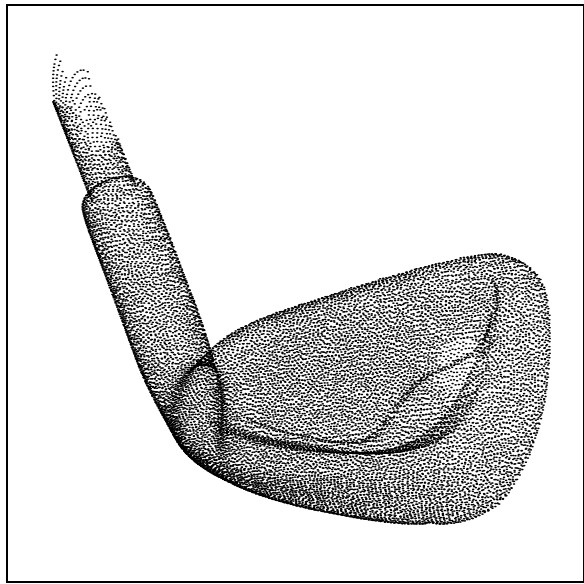


(f) Smooth shading after segmentation

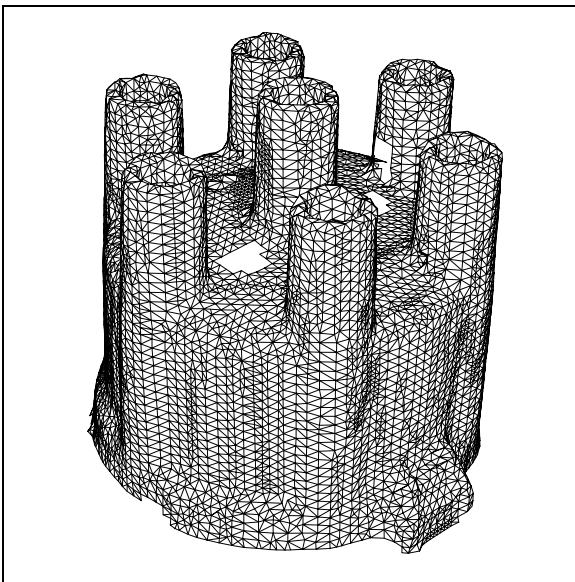
Figure 12: Surface reconstruction (continued).



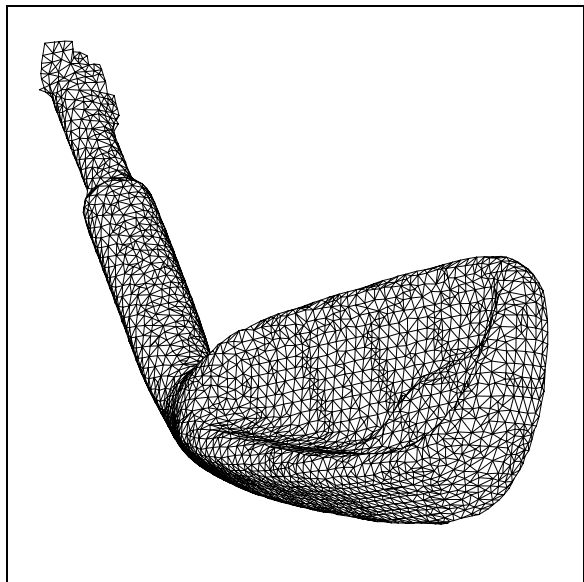
(a) Points from laser range finder ($n = 12,745$)



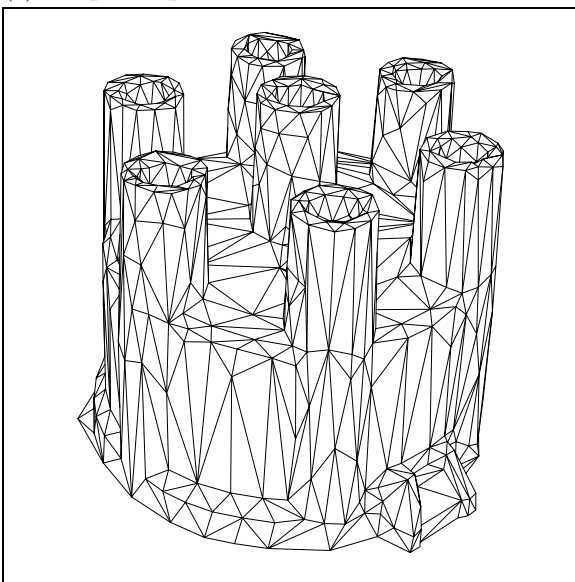
(b) Points from laser range finder ($n = 16,864$)



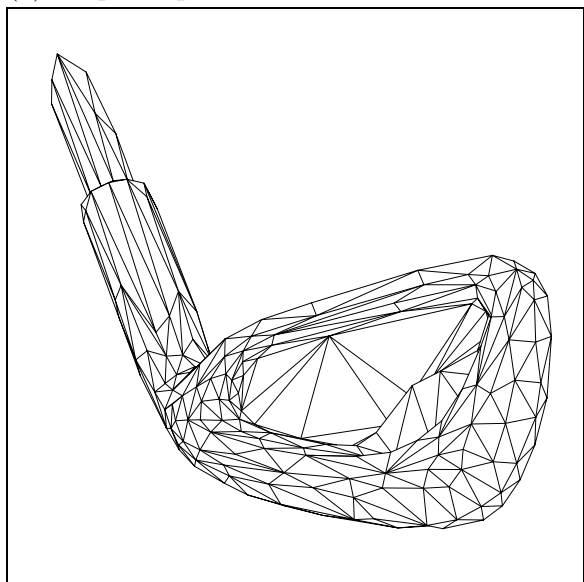
(c) Output of phase one



(d) Output of phase one

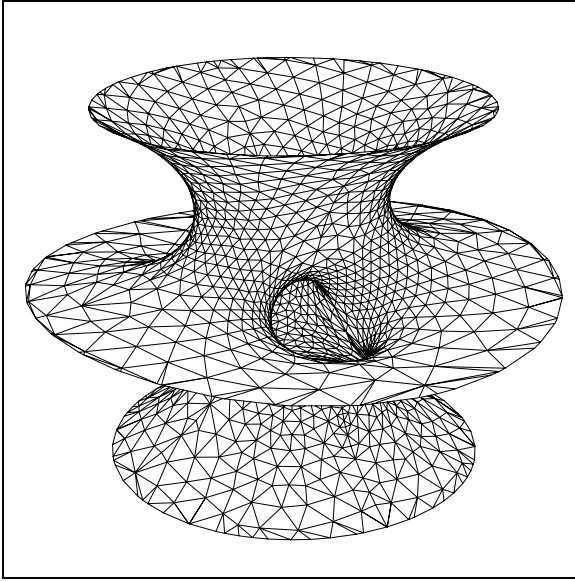


(e) Output of phase two (optimized mesh)

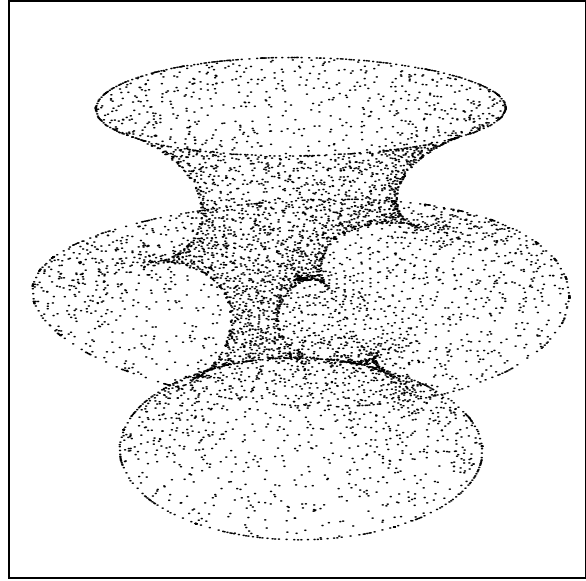


(f) Output of phase two (optimized mesh)

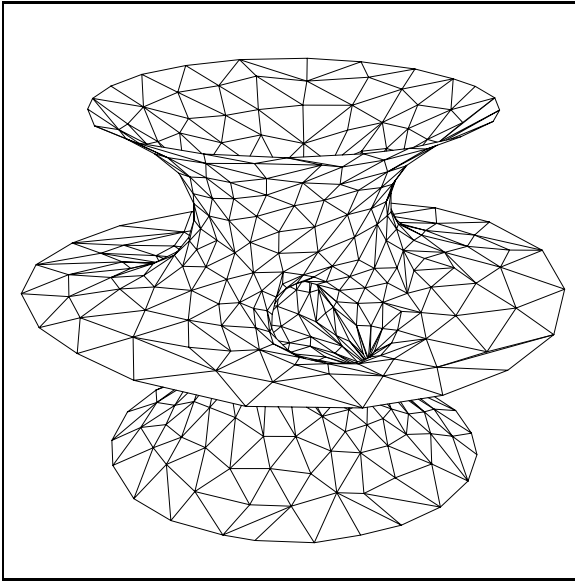
Figure 13: Surface reconstruction from actual range data.



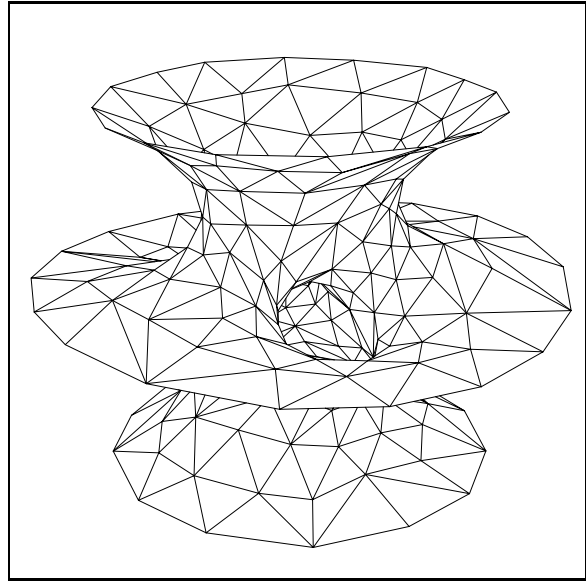
(a) Original mesh M_0



(b) Sampled point set X ($n = 6752$).



(c) Simplified mesh ($c_{rep} = 10^{-5}$)



(d) Simplified mesh ($c_{rep} = 10^{-4}$)

Figure 14: Mesh simplification example.